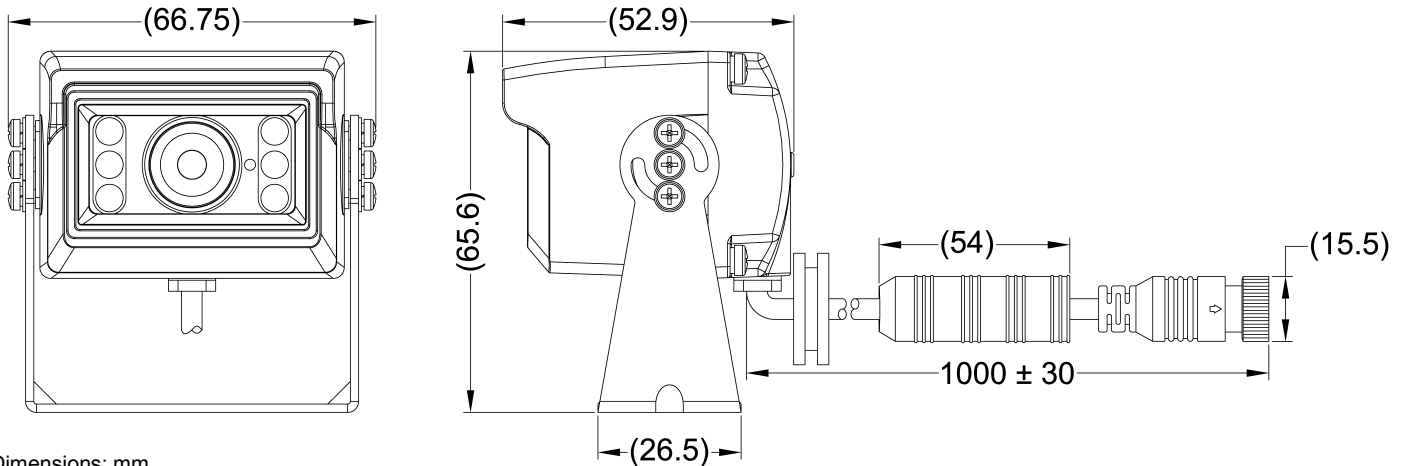


Product Specification



Brigade Model Number: VBV-620C / VBV-621C

Brigade Part Number: 3863A / 3864A



Dimensions: mm

Product Specification

Environmental Specifications:

- Shock Rating: 51g
- Vibration Rating: 4g (3 axis each 32hr random)
- Camera IP Rating: IP69K
- Connector IP Rating: IP67
- Operating Temperature: -30° to +70°C
- Storage Temperature: -40° to +85°C

Approved Standards:

VBV-620C

- CE - (EN 61000-6-2:2005 / EN 61000-6-3:2007+A1:2011)
- 'E' Mark - (ECE Regulation 10 Rev 05)

VBV-621C

- FCC - (47 CFR Part 15 Subpart B)

All

- Ingress Protection - (ISO 20653:2006)
- RoHS
- WEEE
- Salt Spray corrosion testing.

Technical Specifications:

- Operating Voltage: 12 Vdc
- Current Consumption: 110mA @ 12 Vdc
- Power Consumption: 1.2 Watts @ 12 Vdc
- Imaging Devices: CMOS - 1/3" PixelPlus
- TV System:
 - VBV-620C PAL
 - VBV-621C NTSC
- Picture Elements: 720(H) x 488(V)
- Visual Resolution: PAL - 500 TV Lines
NTSC - 350 TV Lines
- Lens Focal Length: 2.8mm
- Signal to Noise Ratio: 46.4dB

Technical Specifications Continued...

- Required Illumination: 0 Lux (IR LEDs ON)
- Illumination Distance: 8 Metres
- Viewing Angle:
 - VBV-620C 82°(H), 67.5°(V), 109°(D) ± 5%
 - VBV-621C 87°(H), 65°(V), 112°(D) ± 5%
- Weight: Approx. 280 grams
- Video Output: 1.0 Vp-p / 75Ω
- Length of Cable: 1000 ± 30mm
- Overall Dimensions: 67mm (W) x 53mm (D) x 66mm (H)
- Casing Material: Aluminium Alloy
- View: Mirror Fixed
- Finish: Black Powder Coating

Features:

- High Quality CMOS device
- Integrated Day/Night Sensor to enable IR LEDs.
- 6 x High Power Infrared LEDs
- Back Light Compensation
- Automatic White Balance
- Fixed IRIS
- VBV Type Connector

Package Contents:

- 1 x VBV-62XC - Camera
- 1 x VBV-62XC-BKT - Bracket
- 1 x VBV-62XC-FIX - Fixing Pack
- 1 x VBV-62XC-IG - Installation Guide



